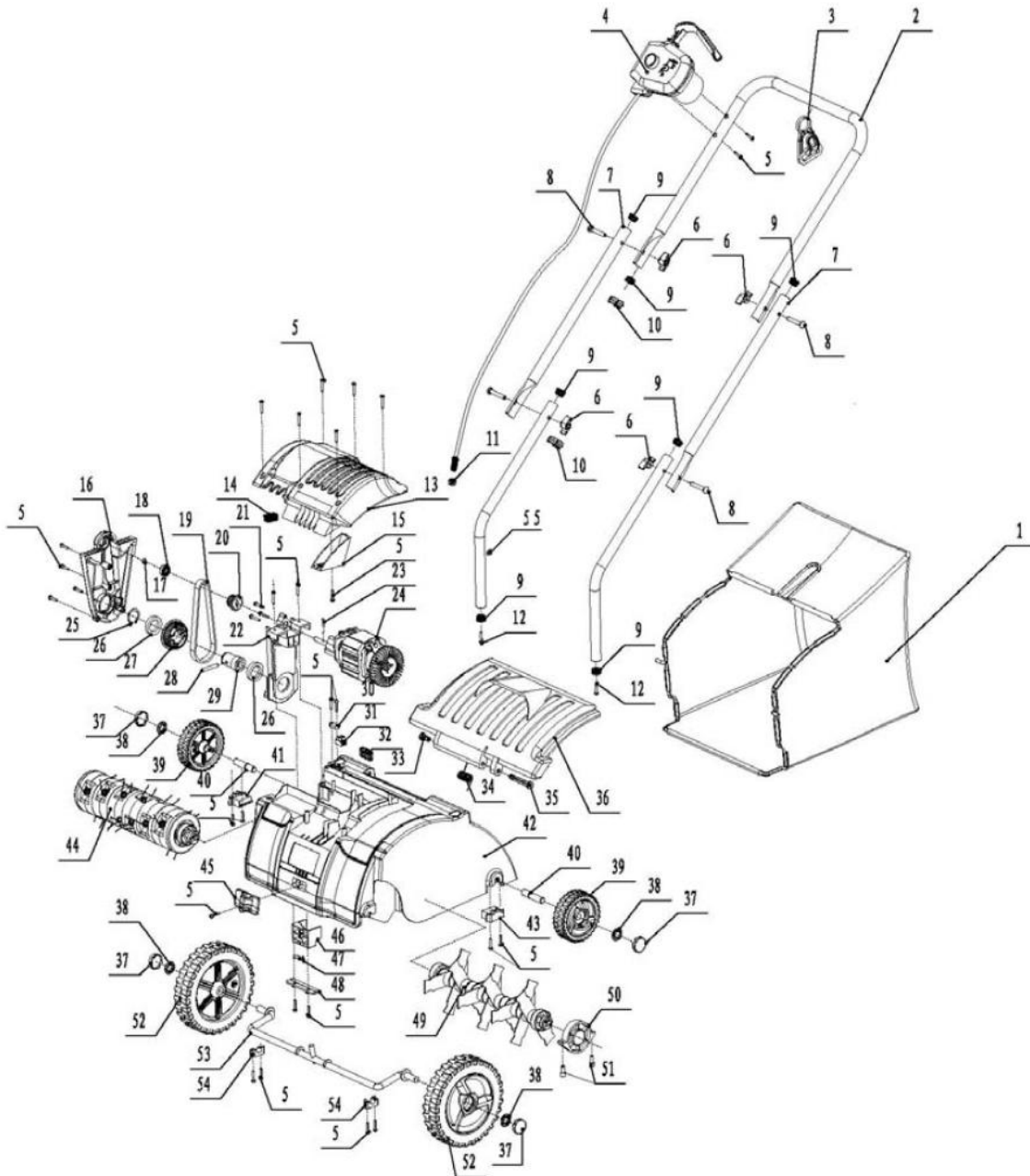




REV 1332 B



Spare parts list of REV 1332 B				
Pos no	Riwall no	Reference	English name	QTY
1	REV1332B-1	S1332E-1	grass basket	1
2	REV1332B-2	S1332E-2	Guide bar upper section	1
3	REV1332B-3	S1332E-3	Cable hook	1
4	REV1332B-4	S1332E-4	Safety switch combination	1
5	REV1332B-5	S1332E-5	Screw ST3.9*19	28
6	REV1332B-6	S1332E-6	Swing nut	4
7	REV1332B-7	S1332E-7	Carry handle	2
8	REV1332B-8	S1332E-8	Screw M4*45	4
9	REV1332B-9	S1332E-9	Plug	4
10	REV1332B-10	S1332E-10	Cable clip	2
11	REV1332B-11	S1332E-11	Rubber seal	1
12	REV1332B-12	S1332E-12	Screw ST4.2*16	2
13	REV1332B-13	S1332E-13	Moto cover	1
14	REV1332B-14	S1332E-14	Sponge block	2
15	REV1332B-15	S1332E-15	Wind board	1
16	REV1332B-16	S1332E-16	Gearbox side cover	1
17	REV1332B-17	S1332E-17	locking ring 8	1
18	REV1332B-18	S1332E-18	Bearing 608z	1
19	REV1332B-19	S1332E-19	Belt	1
20	REV1332B-20	S1332E-20	Pulley complete	1
21	REV1332B-21	S1332E-21	Screw M4*20	3
22	REV1332B-22	S1332E-22	Gearbox	1
23	REV1332B-23	S1332E-23	Spring pin 3*16	1
24	REV1332B-24	S1332E-24	Motor complete	1
25	REV1332B-25	S1332E-25	locking ring 25	1
26	REV1332B-26	S1332E-26	Bearing 61815	2
27	REV1332B-27	S1332E-27	34 Pulley	1
28	REV1332B-28	S1332E-28	Spring pin 6*40	1
29	REV1332B-29	S1332E-29	Output axis	1
30	REV1332B-30	S1332E-30	Cable holder	1
31	REV1332B-31	S1332E-31	Posts	1
32	REV1332B-32	S1332E-32	Choke	1
33	REV1332B-33	S1332E-33	Shortboard pin	1
34	REV1332B-34	S1332E-34	Backboard spring	1
35	REV1332B-35	S1332E-35	Lengthboard pin	1
36	REV1332B-36	S1332E-36	Backboard	1
37	REV1332B-37	S1332E-37	wheel cap	4
38	REV1332B-38	S1332E-38	retainer ring	4
39	REV1332B-39	S1332E-39	100 wheel	2
40	REV1332B-40	S1332E-40	rear axle	2
41	REV1332B-41	S1332E-41	Right lockingblock	1
42	REV1332B-42	S1332E-42	Main shell	1
43	REV1332B-43	S1332E-43	Left lockingblock	1
44	REV1332B-44	S1332E-44	comb grass wheel complete	1
45	REV1332B-45	S1332E-45	Shift switch	1
46	REV1332B-46	S1332E-46	Base	1
47	REV1332B-47	S1332E-47	Switch plate	1
48	REV1332B-48	S1332E-48	Press plate	1
49	REV1332B-49	S1332E-49	Cutting roller complete	1
50	REV1332B-50	S1332E-50	Bearing	1
51	REV1332B-51	S1332E-51	Screw M5*12	2
52	REV1332B-52	S1332E-52	180 Wheel	2
53	REV1332B-53	S1332E-53	front wheel spindle complete	1
54	REV1332B-54	S1332E-54	front wheel spindle clamp	2
55	REV1332B-55	S1332E-55	Guide bar lower section	2